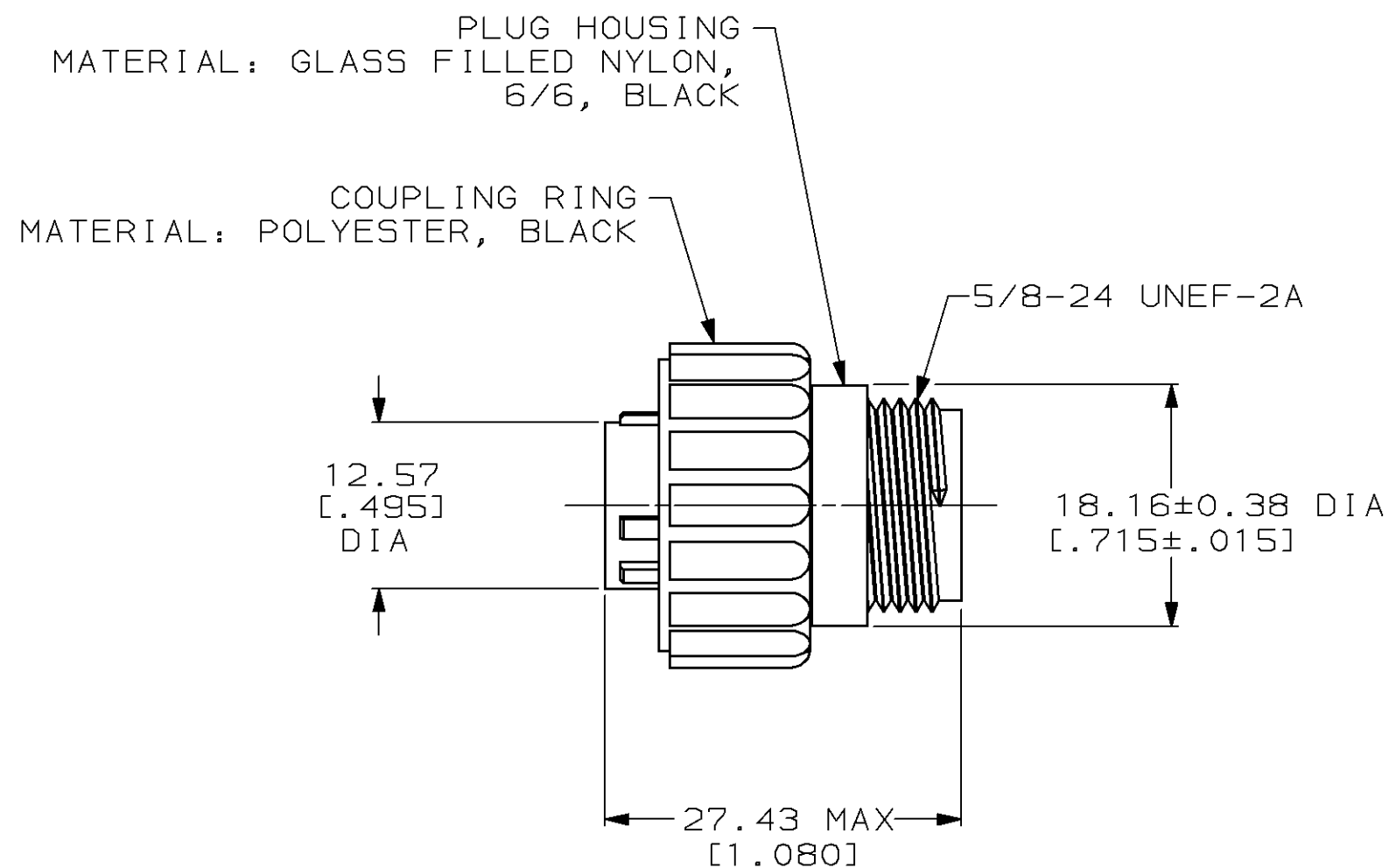
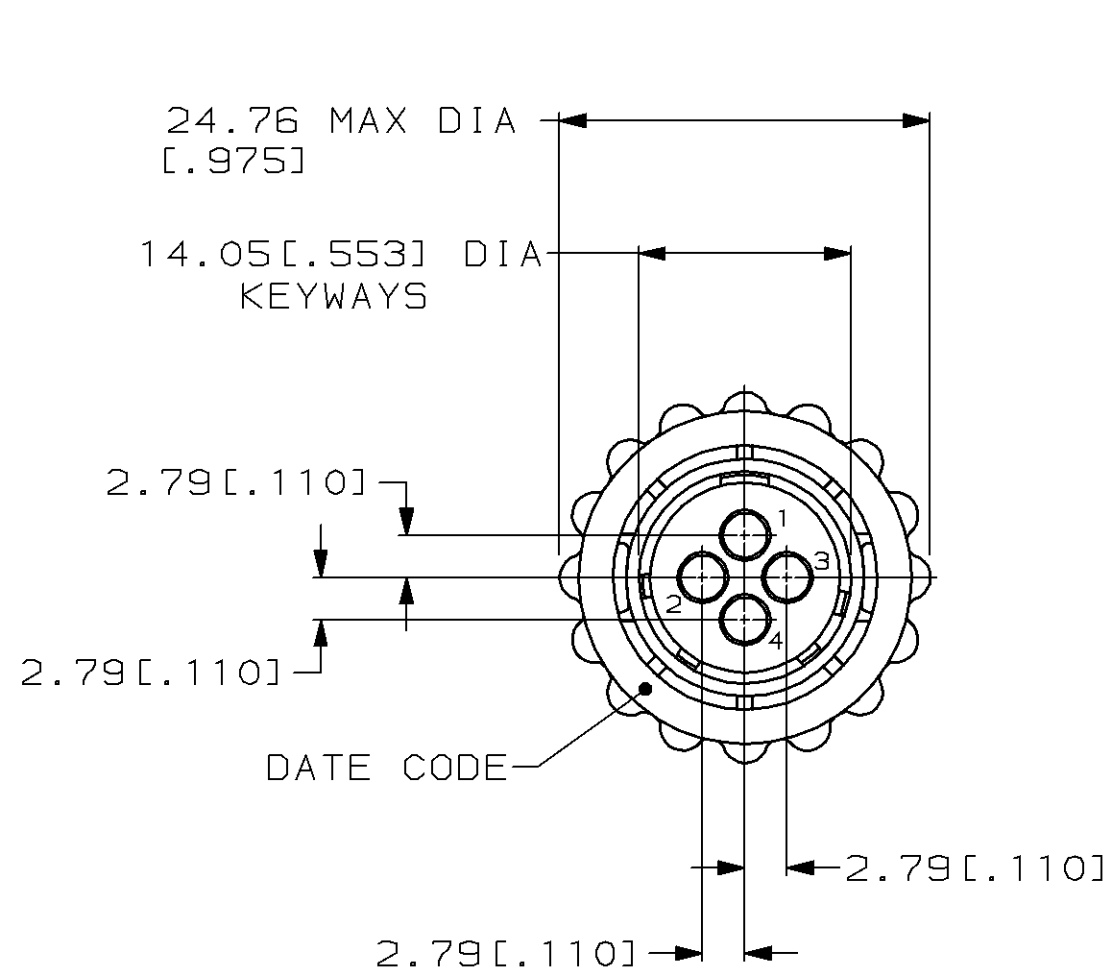


LOC	DIST	P	F	REVISIONS				
				ZONE	LTR	DESCRIPTION	DATE	APPD
FT	4			B		REDRAWN W/O CHANGE PER EC 0020-600-94	06/16/94	AF
				C		REV PER EC 0020-568-95	18 JUL 95	AF
				D		REV PER EC 0320-244-97	07 OCT 97	KD



1. CAVITY IDENTIFICATION ON FRONT AND REAR FACE.
2. WILL ACCEPT FOUR (4) MULTIMATE SOCKET CONTACTS.

		206516-1	
		PART NO	
DO NOT SCALE PRINT. UNLESS SPECIFIED DIMENSIONS IN mm [INCHES] TOLERANCES ON : 2 PLC DEC ± 0.13 [.005] 3 PLC DEC ± - ANGLES ± -		AMP AMP Incorporated Harrisburg, PA 17105-3608	
MATERIAL SEE CALLOUTS		NAME	
FINISH -		PLUG ASSEMBLY, STANDARD SEX, 11-4, CPC	
DR 06-16-94 D.HARDY CHK 06-24-94 R.STONE APPD 08-09-94 A.FRANTUM APPD 08-09-94 A.FRANTUM PRODUCT SPEC - APPLICATION SPEC - WEIGHT -		SIZE C	CAGE CODE 00779
		DRAWING NO C=206516	SHEET 1 OF 1
		SCALE 2:1	

THIS DRAWING IS A CONTROLLED DOCUMENT FOR AMP INCORPORATED. IT IS SUBJECT TO CHANGE AND THE CONTROLLING ENGINEERING ORGANIZATION SHOULD BE CONTACTED FOR THE LATEST REVISION.